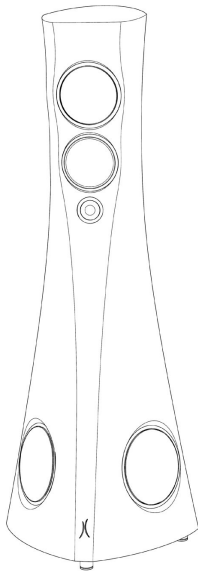


estelon



Designed
by Alfred Vassilkov

Model Estelon Forza

Serial Number

Your ESTELON loudspeakers have passed our quality control:

– Technical test passed.

Marek Rajatalu
Production Manager
Estelon

– Listening test passed.

Alfred Vassilkov
Founder and Chief Designer
Estelon

Table of Contents

1.	INTRODUCTION.....	4
2.	SPECIFICATIONS	7
3.	UNPACKING INSTRUCTIONS.....	9
4.	SET-UP.....	12
5.	PRODUCT CARE	16
6.	TECHNICAL SERVICES	17

1. INTRODUCTION

Our Story

There can be few world-class firms that have been founded at the breakfast table, but Estelon – from Tallinn, Estonia – is certainly one of them. The high-end audio brand traces its origins back many decades when a young boy obsessed with music, began to take apart radios and adjust them to improve the sound quality.

Before Estelon, Alfred had been designing speakers for other companies for over 25 years and spent many years researching opportunities to achieve his ambition.

He always sought perfection and overcame challenges: growing up in Soviet era, when resources were limited, he dismantled radios to rebuild and improve them.

He took his interest to university, studying electro-acoustics in St Petersburg. These experiences enabled Alfred to develop technologies and find materials with which to construct unique and innovative products. These were combined with inspiration from nature – particularly from the lush and expansive forest landscapes of Estonia – to create the perfect balance between engineering and design.

The result was Estelon, one of the world's most luxurious speaker brands. It derives aesthetic and acoustic excellence through the merger of ingenious creativity and cutting-edge science. Each decision – from engineering techniques to materials and components used in the manufacturing process – is made with the perfect harmony of the speakers as a whole in mind.



Alfred Vassilkov, the Designer and Founder of Estelon

Estelon Forza

The Estelon Forza is an much awaited addition to the Estelon flagship series. Standing at nearly 1,7 metres in height, the elegant design of the Forza features the very best of what Estelon has to offer. The perfect synergy between aesthetics and engineering. Using only the materials and components best suited for this model and manufacturing it with the greatest detail, the Forza brings music to life. With a sleek design and composed of a single cabinet, the Forza is just a bit smaller in size than the Estelon Extreme.

Forza, as the name already suggests, is full of unimaginable refined power. As the electric power passes through the driver elements, the Forza becomes alive. Every nuance dances through the air, creating a realistic soundstage, bringing rich emotions so you can close your eyes and enjoy the best what music can offer.

Engineering Concept

Each element and its characteristics play a crucial role in delivering the purest sounds imaginable. All Estelon products are built from the inside out. That means that the shape is the result of decades of engineering and experiences on how to create the best conditions for music reproduction. Taking this into account there are not many materials in the world which can adhere to all of the necessary conditions.

Cabinet materials and finish

Our X-Series and our Flagship model cabinets are built using a proprietary marble based composite material. This allows to create the perfect form and shape of the speaker. The specific shape and materials eliminate any extra internal resonances and diffractions and therefore the sound is pure and natural without coloration.

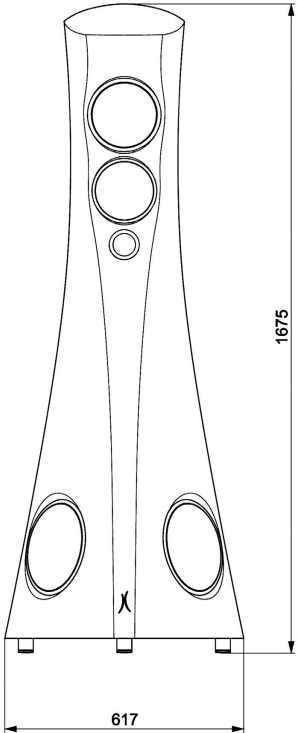
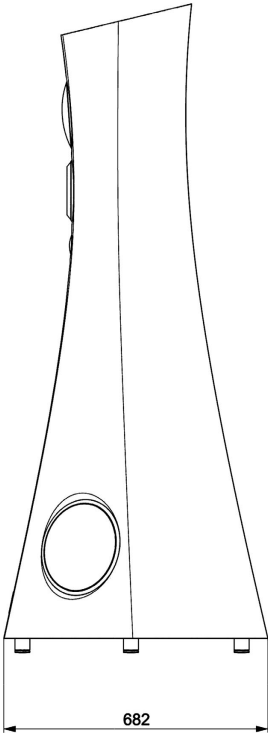
The same ideology is also used for the YB speaker, using only the materials that fit best the speaker's characteristics.

The finishing techniques of all our speakers come from the automotive industry, which makes the coating very durable. The finishing is handcrafted and consists of up to 12 layers and is then carefully hand polished. The Estelon Forza is offered in a choice of liquid gloss, matte or the optional finishes.

2. SPECIFICATIONS

Type:	4-way sealed box
Woofers:	2 x 250 mm CELL Aluminium Sandwich Accuton (custom design)
Mid Woofer:	190 mm CELL Aluminium Sandwich Accuton (custom design)
Midrange:	168 mm CELL Ceramic Accuton
Tweeter:	25 mm CELL Diamond Accuton
Internal Wiring:	Kubala-Sosna
Frequency Response:	25 - 60 000 Hz
Power Rating:	400 W
Min Amplifier Power:	20 W
Nominal Impedance:	3 Ohm (min 2,0 Ohm at 42 and 110 Hz)
Sensitivity:	90 dB/2.83 V
Height:	1675 mm
Width:	617 mm
Depth:	682 mm
Net Weight:	150 kg per speaker

Dimensions in Millimeters:



3. UNPACKING INSTRUCTIONS

Your Estelon loudspeakers come packaged individually in 2 separate flight cases – we strongly recommend keeping these cases for possible future use / transport. Due to the substantial weight and slippery surface of the loudspeakers we suggest that two persons assist in the unpacking and positioning of them for listening.

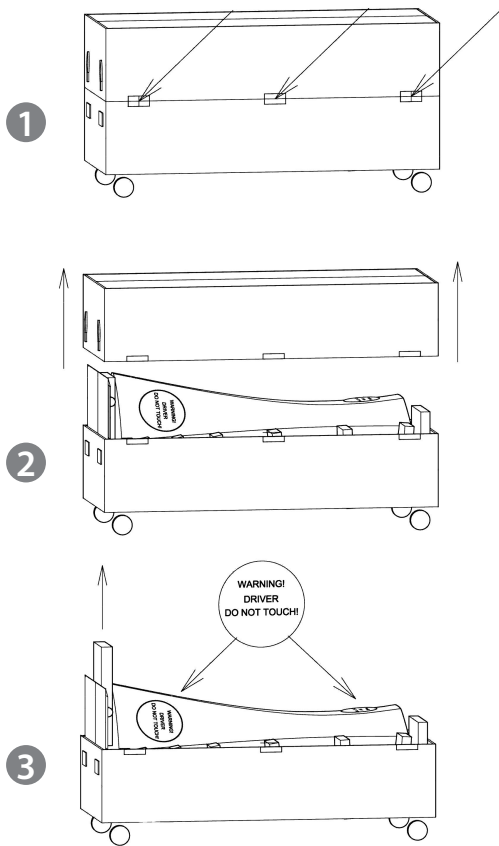
Contents of the two flight cases:

- 2 loudspeakers
- 1 Accessories case
 - 1 user's manual
 - 2 pairs of gloves
 - 8 feet
 - 8 spikes, recommended for carpet flooring
 - 4 jumpers
 - 1 polishing cloth
 - 1 impregnated polishing cloth (supplied only with liquid gloss finish)

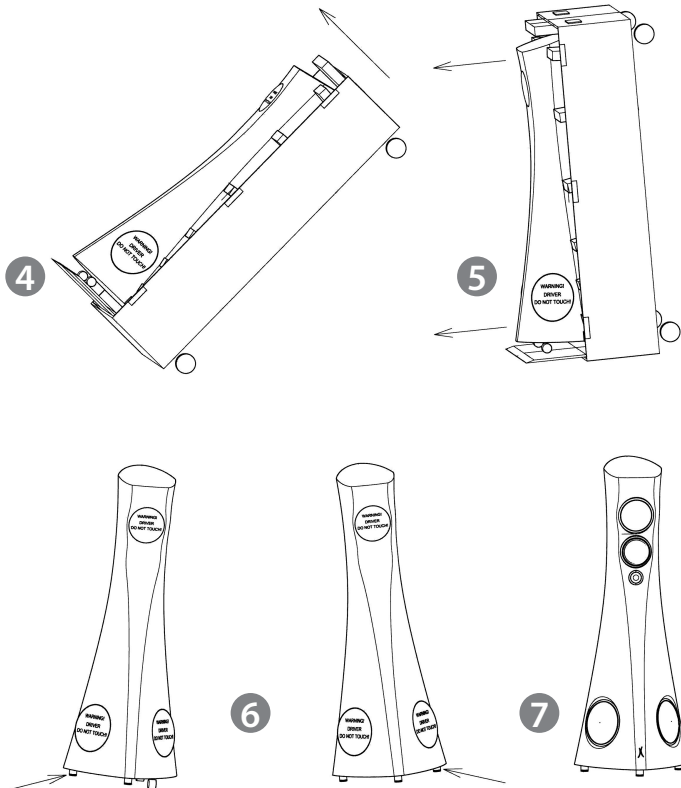
For unpacking, please follow the instructions described below and as shown in the drawings:

1. Unlock / Open all six locks on the flight case cover. This should only be done with the speaker / flight case in a horizontal position.
2. Carefully lift the cover off the flight case and put it aside.
3. Be mindful of the warning signs on the drivers – excessive pressure on the driver elements might cause damage to them. Remove the foam plate and Accessories case from under the speaker bottom as shown in drawing 3.

4. Gently, lift the flight case, with the speaker, as shown in drawing 4 and elevating it to a vertical position as shown in drawing 5.
5. Now in an upright position, please support the speaker and slowly roll the speaker out of the case. At this time, please put on the gloves that you find included in the case. Now, with the speaker upright and out of the flight case, roll it to the desired position in your room.



6. Replace the transport wheels with the enclosed feet. Doing one side at a time, carefully tilt the speaker to one side and replace the wheels with the enclosed feet, as shown in drawing 6. Please retain the wheels, once removed, in the event that repackaging is required. If you are not certain of the final position, we recommend keeping the speakers on wheels during the initial set-up.
7. Remove the cloth-bag from the speaker. Please note that the cloth-bag should always be worn with the seams outside.



4. SET-UP

Initial positioning in the room

Model Estelon Forza - Suggested room size 40-125 m²

When positioning the speakers in your room, if possible, it is desirable to allow for “free” space around the speakers so as to assist in minimizing sound reflections from walls, furniture etc. This will help in achieving correct tonality, realistic imaging, focus and dynamics. The recommended minimum distance between the speaker and the nearest reflection point is 1.2 m.

A non-reflective back wall will minimize imaging distortions. The distance between the back wall and the speaker should not be less than 0.6 m (1.8 ft), the distance from the tweeter to the back and side walls must not be too similar.

Listening point: the best listening height is approx. 1 m (3 ft), while the distance between the listener and the speakers should be similar or longer to the distance between the two speakers.

The positioning of the speakers in the room must be symmetrical for achieving a balanced sound stage – this is very important in a narrow room. Expect the distance between the speakers to be approximately 2.5 – 4 m, depending on the size of the room and its reverberation characteristics.

The recommended speaker’s direction is usually 3-7° towards the listening position, depending on the listening room specifics.

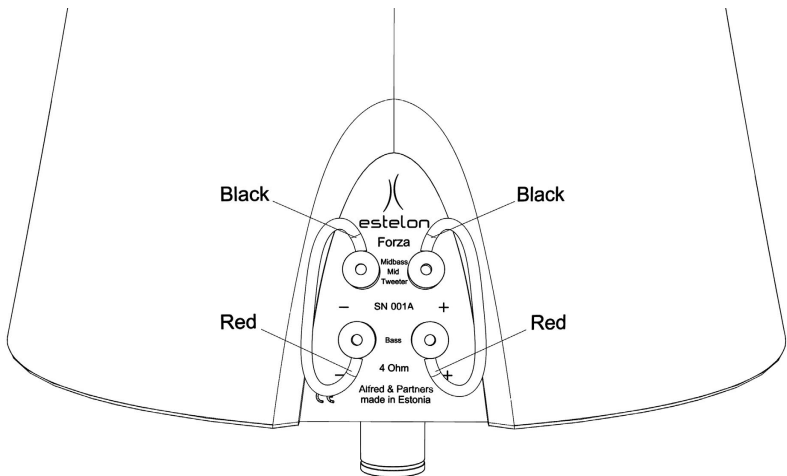
Wiring

When connecting the speaker to the amplifier please make sure that the amplifier is in an off position.

Connect the speaker cable to the pole terminal on the back of the speaker: speaker terminal „+“ with the amplifier terminal „+“ and „-“ with „-“. For best performance we suggest using the upper pair of connectors.

For signal flow, please follow the direction marked on the cable or in the cable manufacturer's instruction. Typically, the signal flow will be in the same direction as the labeling / writing on the cable.

Estelon Forza can be bi-amped or bi-wired at your choice. Please remove wire jumpers to be able to use the upper and lower connectors separately.



Break-in period

Although your Estelon speakers had an initial break-in at the factory, due to shipping conditions - pressure/temperature changes that they may have incurred, the speakers will need to go through an additional break-in process before their final set-up.

All the mechanical and electrical connections will stabilize naturally after playing a continuous music signal for approx. 24 hrs – e.g. use a digital source in the repeat mode. After the initial break-in period you can start setting-up the sound according to the recommendations from Alfred Vassilkov.

Please note that the speakers will have reached their optimum level of performance after playing in your system for approximately 300 hrs.

Recommendations from Alfred Vassilkov for the set-up

The set-up of the sound consists of the balancing of many different parameters: tonality, bass accuracy, focus, stage imaging, deepness etc. This process is time consuming and depends on the listener's experience or the qualification of the set-up specialist. Proper set-up will maximize your Estelons' performance.

During the final set-up small changes may be made to the initial chosen position, e.g. moving the speakers 10 cm towards the front wall, then maybe a little bit inward and outward. Please evaluate the sound carefully every time you make a small change in the positioning. Then continue, making smaller changes in the positioning and evaluate again, until the proper position with a balanced, natural sound is found. We suggest that you test and listen with different music styles so as to avoid specific accents.

When changing the position of your speakers please keep in mind that:

- Close proximity to the back wall and corners will reinforce, enhance, the bass performance, but can negatively influence the stereo image.
- A shorter distance between the two speakers, will create a better focus and deeper imaging, but will at the same time reduce the sound width.
- Pointing the speakers inward minimizes reflections from the side walls but has an impact on the imaging.

Once you have located the proper position replace the wheels with the spikes included in the case.

For critical listening, each time you play the speakers, please allow 60-90 minutes for the system to warm up for maximum performance.

WARNING! When played at excessive volume, you stand the risk of doing damage to the drivers.

5. PRODUCT CARE

The multicoated finishes applied to Estelon speakers are considered to be amongst the most advanced automotive finishes available. They are extremely strong and durable. In order to assist you in maintaining their stunning appearance, your Estelon loudspeakers come supplied, from the factory, with special cleaning / polishing cloths. Please take note - only dry cleaning is allowed - do not wash the speakers.

When the nature of a smudge or spot so necessitates, a soft moist cloth may be used to gently remove smudges prior to a final finishing with the special cloths which accompany the speakers.

For the Liquid Gloss finish, please use only the polishing cloth included in the flight case. Be careful not to apply the polish to the loudspeaker drivers. The use of other materials can damage, scratch or destroy the finish.

More detailed information regarding the polishing clothes and information for obtaining additional product:

For all finishes:

3M Perfect-it™ III High Performance Polishing Cloth

Or other 3M Microfiber cloths

If needed, use it with Würth Active Windshield Cleaner* I Art. No. 0890 25

For additional information and guidance regarding cleaning / polishing materials, please contact your dealer or distributor.

6. TECHNICAL SERVICES

Estelon Five Year Limited Warranty Terms and Conditions

1. Limited Warranty - All Estelon products purchased from authorized Estelon dealers are covered by a limited 5-year non-transferrable warranty. This warranty includes all parts and labour charges as well as return-shipping charges (product owner is responsible for all shipping and insurance charges one-way to the Estelon repair facility).

Customers should consult with their original Estelon dealer or distributor for possible alternate repair instructions prior to contacting the Estelon factory. Other Estelon dealers or distributors may refuse from assisting the Customer under the limited warranty but under any and all circumstances customers are welcome to contact our sales department, listed on our web site www.Estelon.com for service assistance.

This limited warranty is valid only in the country where the product was originally purchased. If the repair request that is covered under this warranty comes from another country then the Manufacturer may request the Customer to compensate to the Manufacturer additional costs arising from providing this limited warranty in another country than the country of original purchase.

This limited warranty shall not affect the statutory rights of the Customer.

2. Limited to Original Purchaser - This warranty is for the sole benefit of the original purchaser of the covered product, and may not be transferred to a subsequent purchaser of the product.

3. Conditions and Limitations - This warranty is subject to certain conditions and limitations, as follows. This warranty is void and inapplicable if the product has not been used in accordance with the instructions found elsewhere in the owner's manual, or if it has been

misused or abused, damaged by accident or neglect, or in transport once in possession of the purchaser. The warranty is also deemed void if the product has been repaired, modified, or tampered with by anyone other than Estelon or its specifically authorized agents. Please note – if the fasteners to the cover of the crossover area, those covered with multi coloured specialty epoxy seal, have been tampered with or the epoxy removed – the warranty will be considered to be void.

This warranty does not cover defects due to accidents or similar causes arising after the risk for the product has passed to Customer, or normal deterioration, wear and tear.

4. Remedy - If this product contains a materials, manufacturing, or workmanship defect that cannot be repaired at the dealership where the product was purchased, it must be packed in original packaging and returned to Estelon via an insured freight, at the owner's expense. If replacement packaging materials are required, they may be purchased from the factory at a charge. Returned products must be accompanied by a written description of the defect, and a return authorization number (available from the factory via phone or email).

Upon receipt of defective product, Estelon agrees to repair the product without charge for parts or labour. The product will then be returned via prepaid, insured freight, with carrier at the sole determination of Estelon. This constitutes the purchaser's sole remedy.

5. Design Changes - Estelon reserves the right to modify its products or change specifications at any time without obligation or liability to previous purchasers.

6. Miscellaneous - Any implied warranties relating to the above product shall be limited to the duration of this warranty. This warranty does not extend to any incidental or consequential costs or damages to the purchaser. This warranty gives you specific legal rights. You may also have other rights which vary from country to country.

Instructions for Obtaining Repair Service

1. Complete the Return Authorization Request Form – contact sales@estelon.com to obtain the form and wait for approval from Estelon.
2. Crate and / or package the product in its ORIGINAL FLIGHT CASE CONTAINERS ONLY, according to the instructions included in the return e-mail, and ship the product to the shipping address included in the e-mail. The owner is responsible for paying the shipping and insurance charges (Estelon will cover return shipping and insurance charges on warranty repairs).
4. In the case of non-warranty repairs, Estelon will physically inspect the product and contact the customer for repair approval. Upon approval and completion of repair, the product owner will be informed of the final charges (including return shipping). Payment may be made by bank / wire transfer prior to final shipment). Payments not received within 30 days of initial contact may incur storage fees.



We strongly recommend that all product repairs should be conducted through the Estelon factory or an authorized Estelon repair facility. Estelon products are designed and manufactured to the highest tolerances with numerous hand-picked components; for this reason, we **HIGHLY RECOMMEND** that components not be serviced by non-authorized repair facilities. Estelon values its loyal customers and will make every attempt to return repaired products to their original factory specifications. Customers should consult with their original Estelon dealer or distributor for possible alternate repair instructions prior to contacting the Estelon factory. BUT under any and all circumstances customers are welcome to contact our sales department, as listed on our web site www.estelon.com, for service assistance. All non-warranty repairs are warranted for one year from the date of return shipment.



*Have we answered all your questions?
If not, please send us an email with your questions to*

sales@estelon.com

www.estelon.com

ESTELON is a trademark of Alfred & Partners OÜ

Alfred & Partners OÜ

Tanuma 126

13521 Tallinn

Estonia